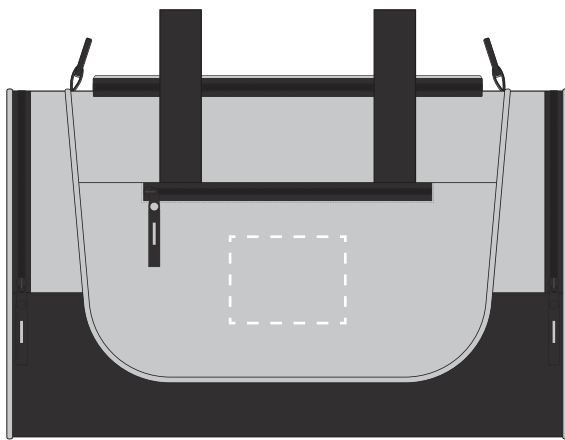


Art Approval Form

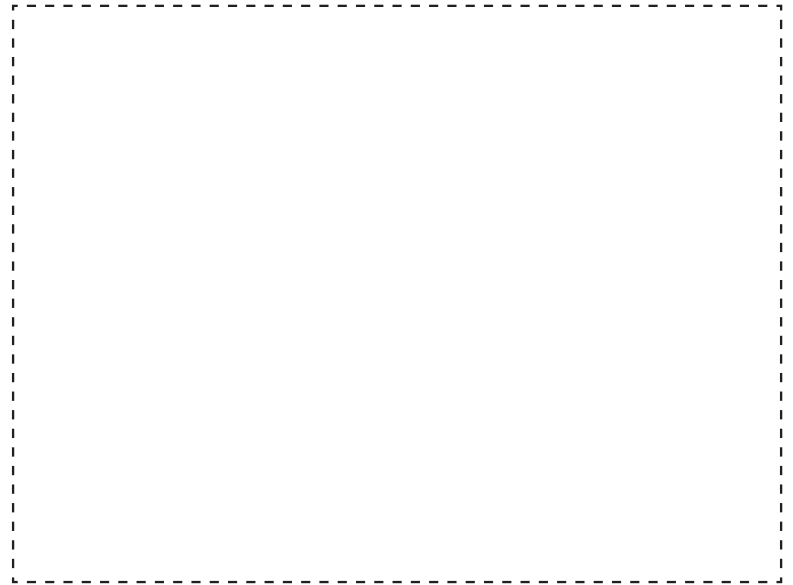
Client: XXXX
Invoice #: XXX

Standard Imprint Position
15% Actual Size



Imprint Area

100% Actual Size
4.00" w x 3.00" h



ITEM COLOR

XXXX

IMPRINT COLOR

XXXX

ITEM

ac-indc7

DESCRIPTION

Austin Nylon Collection Duffel Bag

IMPRINT TYPE

Spot Color Transfer, 4CP Heat Transfer

Art Guidelines

Positive Imprint – 6 pt Minimum..... Sample
Negative Imprint – 8 pt Minimum..... Sample
Serif & Italic Types – 10 pt Minimum..... Sample *Sample*
Line Weight, Positive Lines – .5 pt Minimum
Line Weight, Negative Lines – .75 pt Minimum
Registered or Trademark Symbols – 8 pt Width Minimum [®] _™

Ornate and display type faces will be printed on a case-by-case basis.

Registration marks and trademarks will be enlarged to ensure minimal size when printed.

Color & Size Variance

All PMS colors are printed in RGB and only near tonal value can be achieved

- This PDF file is being viewed on an RGB monitor therefore there will be a variance between the color on your screen and the color of the actual finished product.
- All PMS Colors are printed CMYK and are matched as close as possible.
- This proof should be used to inspect the layout, spelling, grammar, color selection and color appearance of your order
- Colors printed on different mediums (ie: caps/leash and label) will not be an exact match.
- This proof is not an exact match of the finished product color or quality of the printed piece.

PROOF BY

XXX