

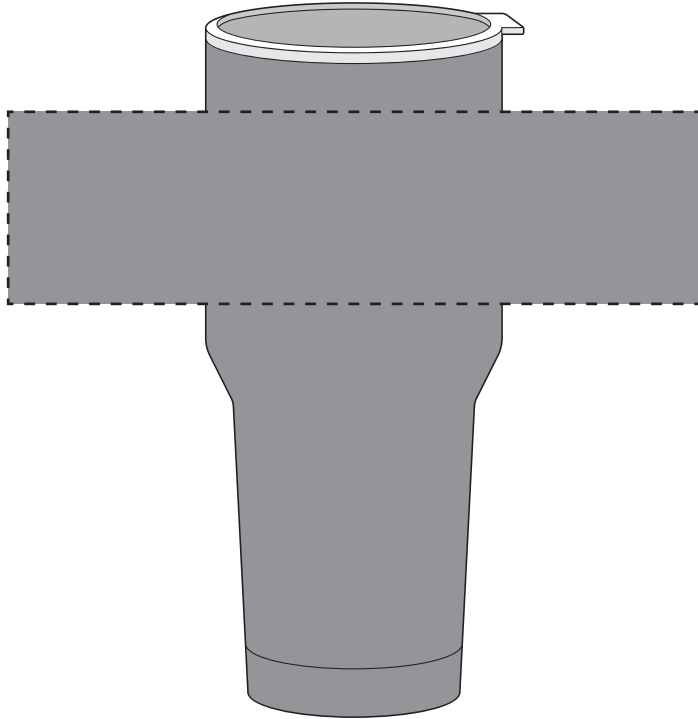
# Art Approval Form

Client: XXXX  
Invoice #: XXX

## FPO Item Rendering

Dotted lines represent imprint area and do not print.

**Standard Position**  
Item at 40% actual size



**45% Actual Size Imprint**



ITEM COLOR

XXXX

IMPRINT COLOR

XXXX

DESCRIPTION

ac-i0-ceda

**BUILT 30 oz. Vacuum Insulated Tumbler**

IMPRINT TYPE

**Screen Print**

## Art Guidelines

Positive Imprint – 6 pt Minimum.....

Sample

Negative Imprint – 8 pt Minimum.....

Sample

Serif & Italic Types – 10 pt Minimum.....

Sample Sample

Line Weight, Positive Lines – .5 pt Minimum

Line Weight, Negative Lines – .75 pt Minimum



Registered or Trademark Symbols – 8 pt Width Minimum

®  
™

Ornate and display type faces will be printed on a case-by-case basis.

Registration marks and trademarks will be enlarged to ensure minimal size when printed.

## Color & Size Variance

All PMS colors are printed in RGB and only near tonal value can be achieved

- This PDF file is being viewed on an RGB monitor therefore there will be a variance between the color on your screen and the color of the actual finished product.
- All PMS Colors are printed CMYK and are matched as close as possible.
- This proof should be used to inspect the layout, spelling, grammar, color selection and color appearance of your order
- Colors printed on different mediums (ie: caps/leash and label) will not be an exact match.
- This proof is not an exact match of the finished product color or quality of the printed piece.

PROOF BY

XXX